

## MILITARY COTS DC-DC CONVERTER

<b>180-425V</b> Continuous Input	<b>180-475V</b> Transient Input	<b>36V</b> Output	<b>16.7A</b> Output	<b>93%@8.35A / 93% @16.7A</b> Efficiency
-------------------------------------	------------------------------------	----------------------	------------------------	---

**Operation: -55°C to +100°C**

The MilQor® series of Mil-COTS DC-DC converters brings SynQor's field proven high-efficiency synchronous rectification technology to the Military/Aerospace industry. SynQor's ruggedized encased packaging approach ensures survivability in demanding environments. Compatible with the industry standard format, these converters operate at a fixed frequency, and follow conservative component derating guidelines. They are designed and manufactured to comply with a wide range of military standards.

## MilCOTS™



Designed and Manufactured in the USA

### Safety Features

- 4250V dc, 100 MΩ input-to-output isolation
- (see Standards and Qualifications page)

### Mechanical Features

- Industry standard full-brick pin-out configuration
- Size: 4.686" x 2.486" x .512"  
119.0 x 63.1 x 13.0 mm
- Total weight: 9.9oz (280g)
- Flanged baseplate version available

### Control Features

- Fully Isolated On/Off control
- Remote sense for the output voltage
- Output voltage trim range of +10%, -50%
- Active current sharing (full feature option)
- Clock synchronization (full feature option)
- Start synchronization (full feature option)

### Specification Compliance

MCOTS series converters (with an MCOTS filter) are designed to meet:

- MIL-HDBK-704 (A-F)
- MIL-STD-461 (C, D, E, F)

### Operational Features

- High efficiency, 93% at full rated load current
- Operating input voltage range: 180-425 V
- Fixed frequency switching provides predictable EMI
- Trim Range: -50% to +10%

### Protection Features

- Input under-voltage lockout/over-voltage shutdown
- Output current limit and short circuit protection
- Input over-voltage protection
- Output over-voltage protection
- Thermal shutdown

### Screening/Qualification

- AS9100 and ISO 9001 certified facility
- Qualified to MIL-STD-810
- Available with S-Grade or M-Grade screening
- Pre-cap inspection per IPC-A-610, Class III
- Temperature cycling per MIL-STD-883, Method 1010, Condition B, 10 cycles
- Burn-In at 100 °C baseplate temperature
- Final visual inspection per MIL-STD-883, Method 2009
- Full component traceability



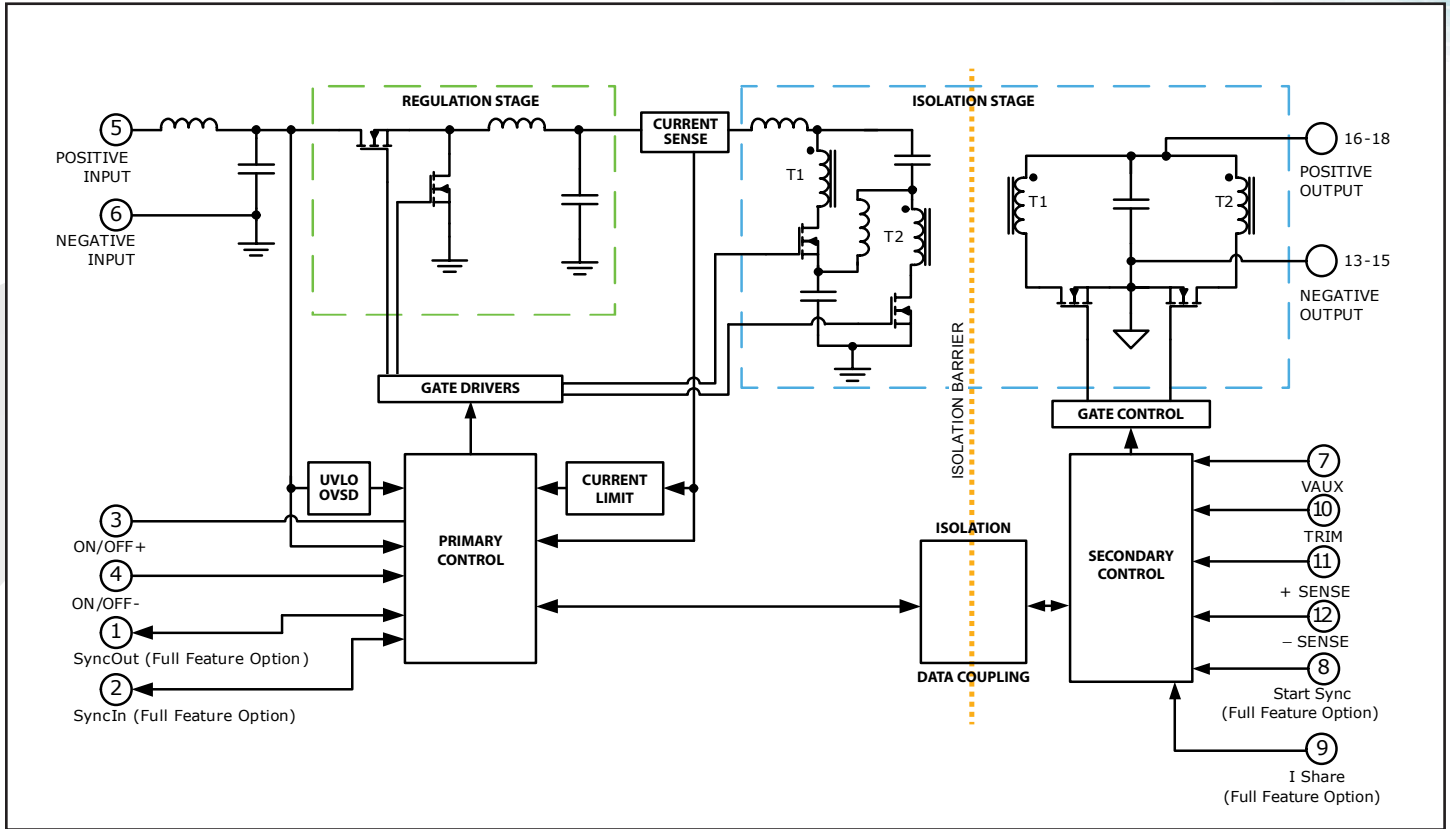
**MCOTS-C-270HL-36-FT**

**Output: 36V**

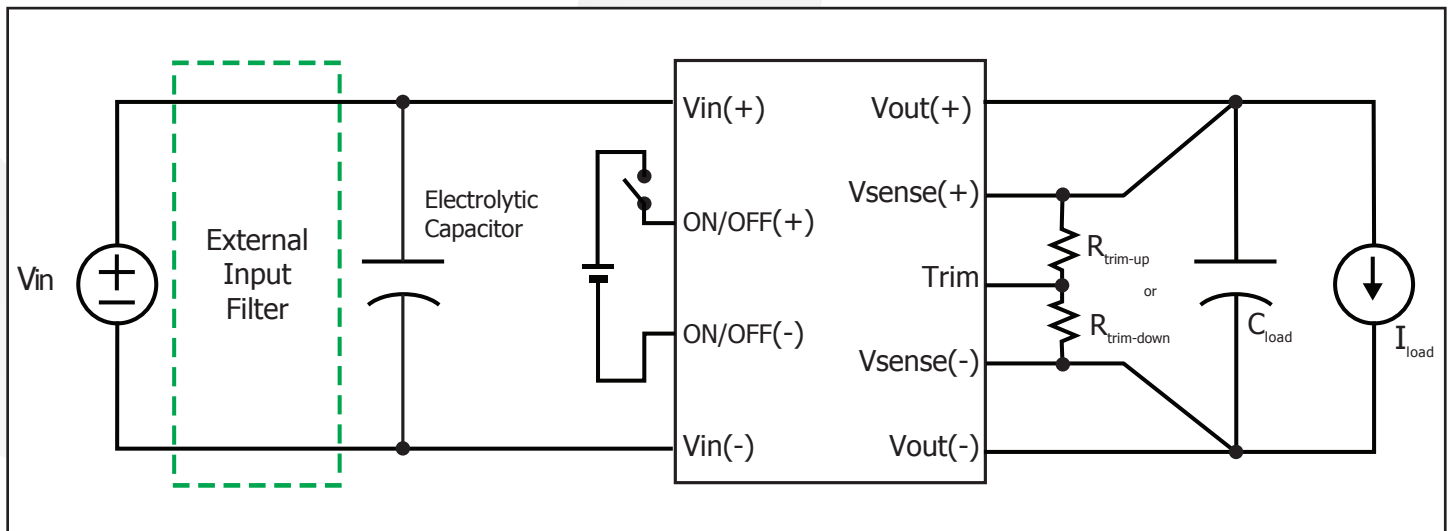
**Current: 16.7A**

**Technical Specification**

**BLOCK DIAGRAM**



**TYPICAL CONNECTION DIAGRAM**



# Technical Specification

## MCOTS-C-270HL-36-FT ELECTRICAL CHARACTERISTICS

Tb = 25 °C, Vin = 270Vdc unless otherwise noted; full operating temperature range is -55 °C to +100 °C baseplate temperature with appropriate power derating. Specifications subject to change without notice.

Parameter	Min.	Typ.	Max.	Units	Notes & Conditions
<b>ABSOLUTE MAXIMUM RATINGS</b>					
Input Voltage					
Non-Operating	-0.5		600	V	Continuous
Operating			425	V	Continuous
Operating Transient Protection			475	V	1 s transient, square wave
Isolation Voltage					
Input to Output			4250	V dc	
Input to Base-Plate			2300	V dc	
Output to Base-Plate			2300	V dc	
Operating Temperature	-55		+100	°C	Baseplate temperature
Storage Temperature	-65		+135	°C	
Voltage at ON/OFF input pin	-2		18	V	
<b>INPUT CHARACTERISTICS</b>					
Operating Input Voltage Range	180	270	425	V	475V transient for 1 s
Input Under-Voltage Turn-On Threshold	164	168	174	V	
Input Under-Voltage Turn-Off Threshold	157	161	166	V	
Input Over-Voltage Turn-Off Threshold	490	503	516	V	
Input Over-Voltage Turn-On Threshold	463	470	477	V	
Recommended External Input Capacitance		7		µF	Typical ESR 1Ω, see Note 2
Input Filter Component Values (C\L\C)		0.3\5.5\1.3		µf\µH\µF	Internal values; see Figure E
Maximum Input Current			4.0	A	Vin min; trim up; in current limit
No-Load Input Current		49	70	mA	
Disabled Input Current		5	13	mA	
Response to Input Transient		750		mV	See Figure 12
Input Terminal Ripple Current		750		mA	RMS
Recommended Input Fuse			5	A	Fast acting external fuse recommended
<b>OUTPUT CHARACTERISTICS</b>					
Output Voltage Set Point	35.64	36.00	36.36	V	
Output Voltage Regulation					
Over Line		±0.1	±0.3	%	
Over Load		±0.1	±0.3	%	
Over Temperature	-75		75	mV	
Total Output Voltage Range	35.1		36.9	V	Over sample, line, load, temperature & life
Output Voltage Ripple and Noise					20 MHz bandwidth; see Note 1
Peak-to-Peak		400		mV	Full load (See Figure 10)
RMS		60		mV	Full load
Operating Output Current Range			16.7	A	Subject to thermal derating
Output DC Current-Limit Inception	17	20	24	A	Output voltage 10% Low
Output DC Current-Limit Shutdown Voltage		14		V	
Back-Drive Current Limit while Enabled		1		A	Negative current drawn from output
Back-Drive Current Limit while Disabled		150		mA	Negative current drawn from output
Maximum Output Capacitance			3,000	µF	Vout nominal at full load (resistive load)
Output Voltage during Load Current Transient					
Step Change in Output Current (0.1 A/µs)		500		mV	50% to 75% to 50% Iout max
Settling Time		600		µs	To within 0.1% Vout nom
Output Voltage Trim Range	-50		10	%	Across Pins 13&18; Figure C; see Note 3
Output Voltage Remote Sense Range			10	%	Across Pins 13&18
Output Over-Voltage Protection	40.5	45	49.5	V	Over full temp range
Auxiliary power		5\50		V\mA	Referenced to Vout(-)
<b>EFFICIENCY</b>					
100% Load		93		%	
50% Load		93		%	

**Note 1:** Output is terminated with 1 µF ceramic and 15 µF low-ESR tantalum capacitors. For applications requiring reduced output voltage ripple and noise, consult SynQor applications support

**Note 2:** An input capacitor with series resistance is necessary to provide system stability.

**Note 3:** Maximum Trim-up is 10%. Applying more than 6.2V between trim pin and Vout(-) may damage the unit.

# Technical Specification

## MCOTS-C-270HL-36-FT ELECTRICAL CHARACTERISTICS

Tb = 25 °C, Vin = 270Vdc unless otherwise noted; full operating temperature range is -55 °C to +100 °C baseplate temperature with appropriate power derating. Specifications subject to change without notice.

Parameter	Min.	Typ.	Max.	Units	Notes & Conditions
<b>DYNAMIC CHARACTERISTICS</b>					
Turn-On Transient					
Turn-On Time		60		ms	Full load, Enable Transition to Vout=90% nom.
Start-Up Inhibit Time	360	400	440	ms	See Figure F
Output Voltage Overshoot		0		%	Maximum Output Capacitance
<b>ISOLATION CHARACTERISTICS</b>					
Isolation Voltage (dielectric strength)			4250	V dc	See Absolute Maximum Ratings
Isolation Resistance		100		MΩ	
Isolation Capacitance (input to output)		500		pF	See Note 1
<b>TEMPERATURE LIMITS FOR POWER DERATING CURVES</b>					
Semiconductor Junction Temperature			125	°C	Package rated to 150 °C
Board Temperature			125	°C	UL rated max operating temp 130 °C
Transformer Temperature			125	°C	
Maximum Baseplate Temperature, Tb			100	°C	
<b>FEATURE CHARACTERISTICS</b>					
Switching Frequency	350	375	400	kHz	
ON/OFF Control					
Off-State Voltage	2.4		18	V	
On-State Voltage	-1		0.8	V	
ON/OFF Control					Application notes Figures A & B
Input Resistance		3		kΩ	
Over-Temperature Shutdown OTP Trip Point		125		°C	Average PCB Temperature
Over-Temperature Shutdown Restart Hysteresis		10		°C	
<b>FULL FEATURE OPTION</b>					
Clock Sync	350	375	400	kHz	See Note 2
Current Share Pin Voltage					
Voltage at No Load		1		V	Relative to Vsense-
Voltage at Full Load		2.2		V	Relative to Vsense-
<b>RELIABILITY CHARACTERISTICS</b>					
Calculated MTBF per MIL-HDBK-217F		1.2		10 <sup>6</sup> Hrs.	Ground Benign, 70°C Tb
Calculated MTBF per MIL-HDBK-217F		154		10 <sup>3</sup> Hrs.	Ground Mobile, 70°C Tb

Note 1: Additional input to output isolation capacitance external to the module is recommended.

Note 2: Do not apply a clock signal lower than specified frequency.

## STANDARDS COMPLIANCE

Parameter	Notes & Conditions
<b>STANDARDS COMPLIANCE</b>	
UL 60950-1:2007/A2:2014	Reinforced Insulation
CAN/CSA C22.2 No. 60950-1:2007/A2:2014	
EN 60950-1:2006/A2:2013	
CE Marked	2006/95/EC Low Voltage Directive

Note: An external input fuse must always be used to meet these safety requirements. Contact SynQor for official safety certificates on new releases or download from the SynQor website.



# Technical Specification

**MCOTS-C-270HL-36-FT**

**Output: 36V**

**Current: 16.7A**

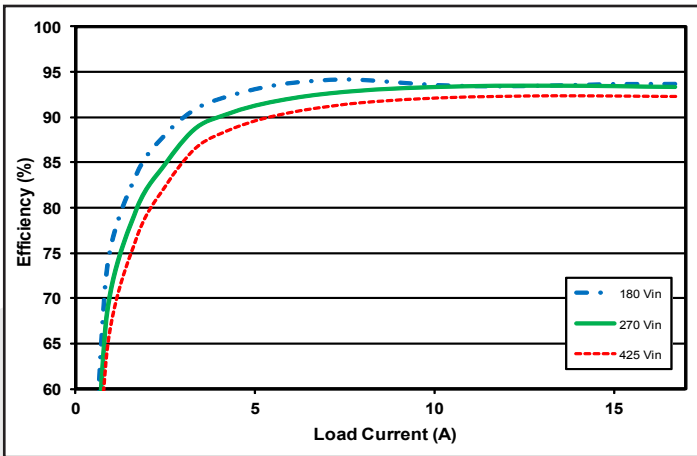


Figure 1: Efficiency at nominal output voltage vs. load current for minimum, nominal, and maximum input voltage at 25°C.

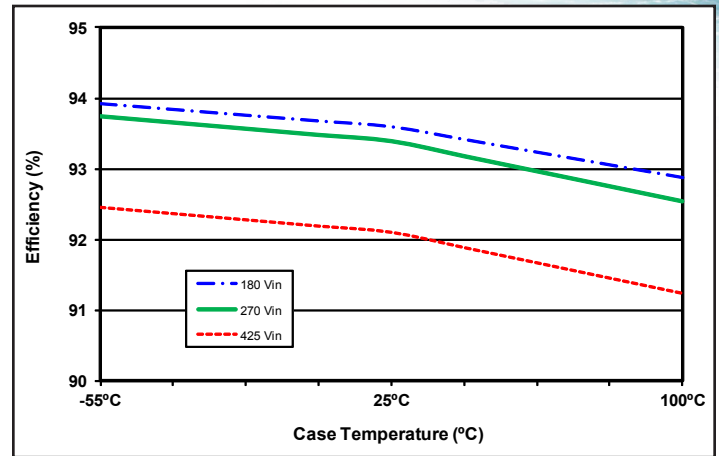


Figure 2: Efficiency at nominal output voltage and 60% rated power vs. case temperature for minimum, nominal, and maximum input voltage.

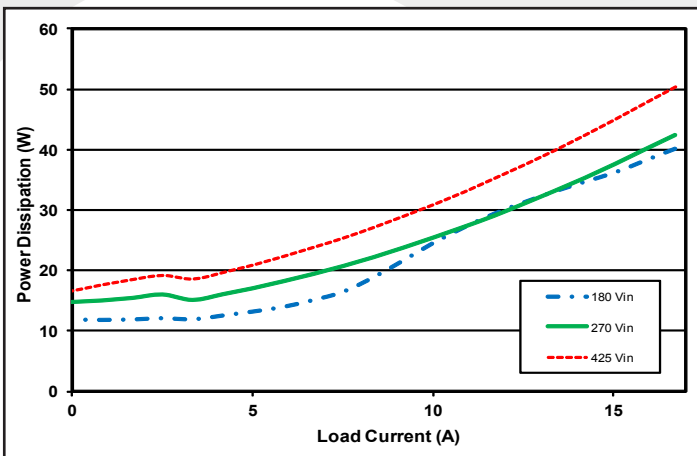


Figure 3: Power dissipation at nominal output voltage vs. load current for minimum, nominal, and maximum input voltage at TCASE=25°C.

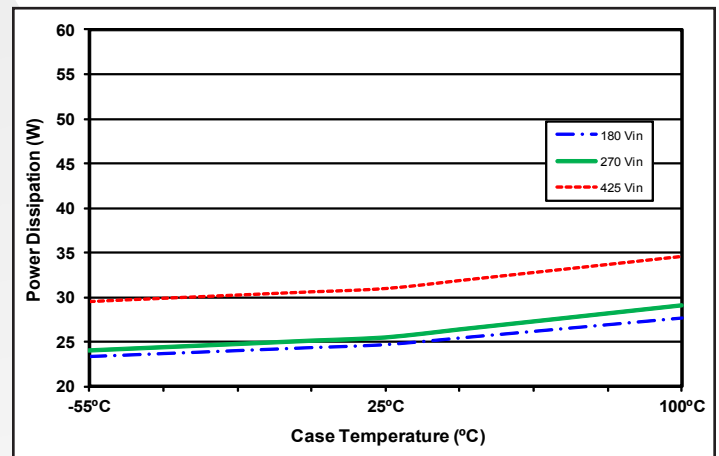


Figure 4: Power dissipation at nominal output voltage and 60% rated power vs. case temperature for minimum, nominal, and maximum input voltage.

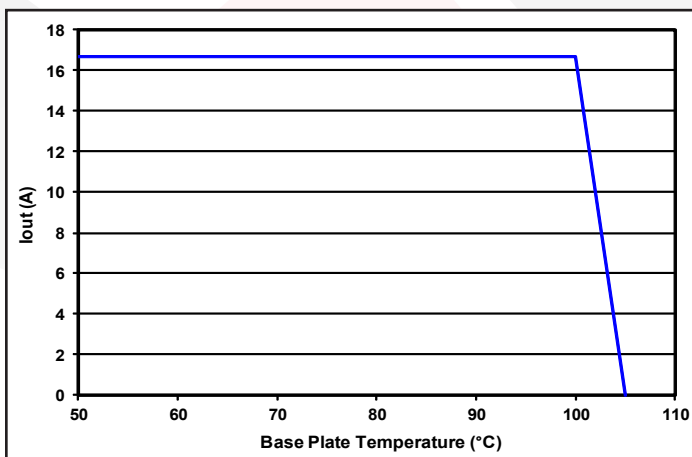


Figure 5: Maximum output current vs. base plate temperature (nominal input voltage).

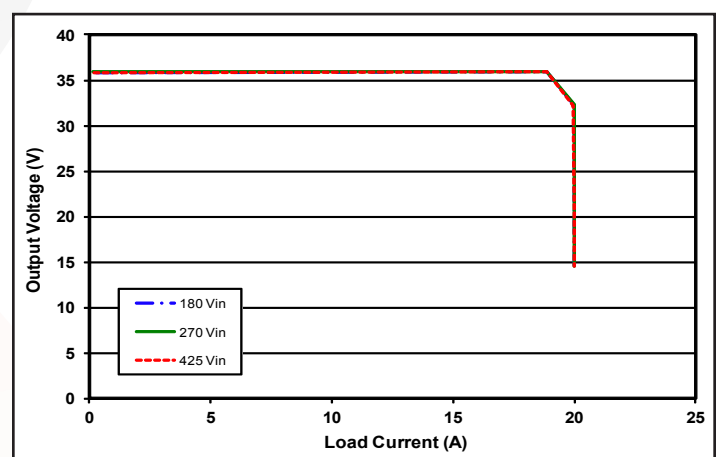


Figure 6: Output voltage vs. load current showing typical current limit curves. See Current Limit section in the Application Notes.

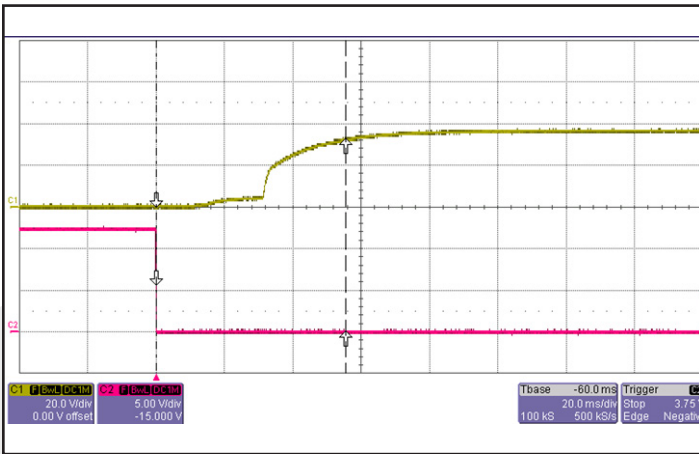


**MCOTS-C-270HL-36-FT**

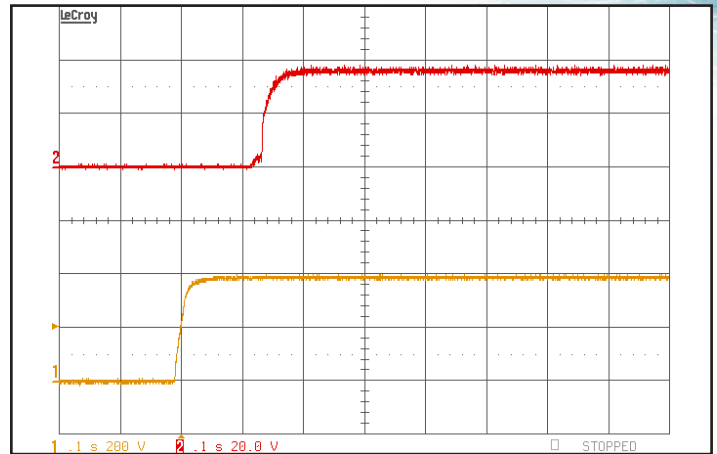
**Output: 36V**

**Current: 16.7A**

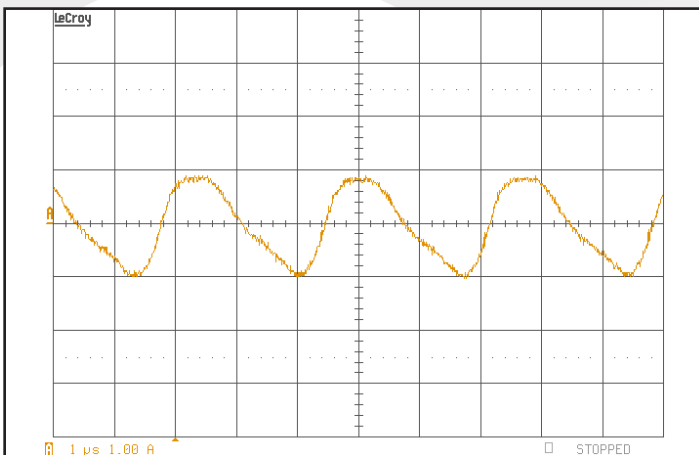
**Technical Specification**



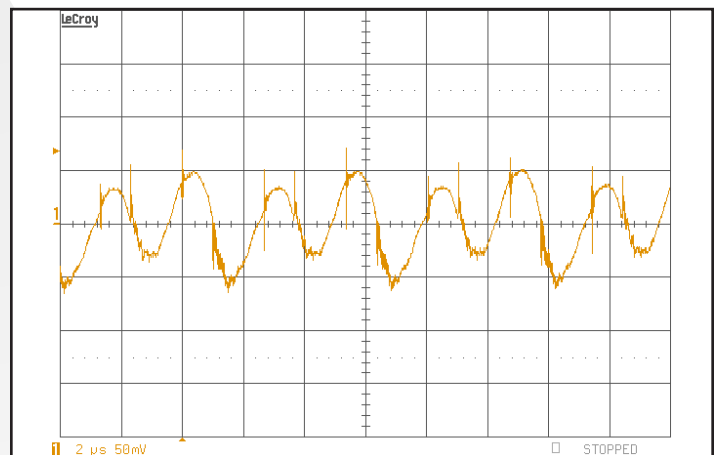
**Figure 7:** Typical startup waveform with 0% load. Input voltage pre-applied. Ch 1: Vout (20V/div). Ch2: ON/OFF Pin (5V/div). Horizontal Scale: 20ms/div



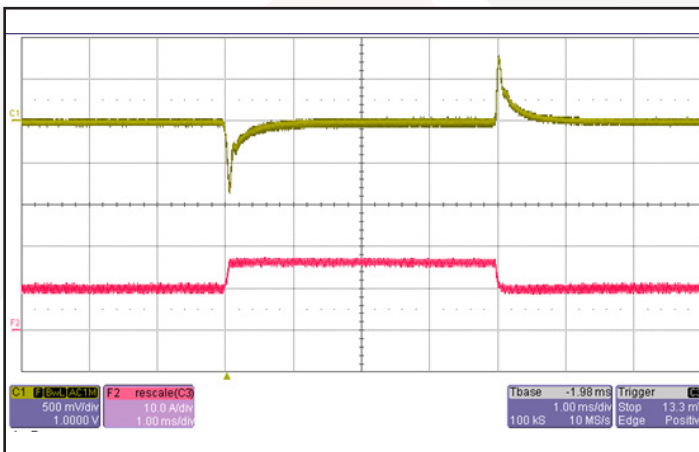
**Figure 8:** Turn-on transient at full resistive load and zero output capacitance initiated by Vin. ON/OFF Pin previously low. Ch 1: Vin (200V/div). Ch2: Vout (20V/div). Horizontal Scale: 100ms/div



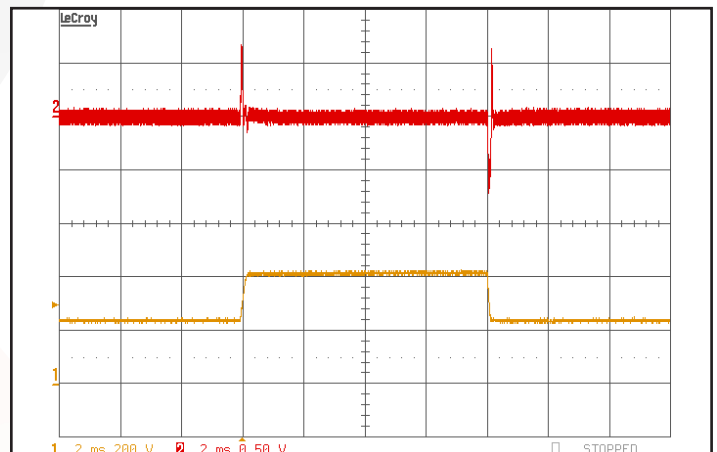
**Figure 9:** Input terminal current ripple,  $i_c$ , at full rated output current and nominal input voltage (1 A/div). Bandwidth: 20MHz. See Figure 17. Horizontal Scale: 1µs/div



**Figure 10:** Output voltage ripple, Vout, at nominal input voltage and rated load current (50 mV/div). Load capacitance: 10µF tantalum capacitor. Bandwidth: 20 MHz. See Figure 17. Horizontal Scale: 2µs/div



**Figure 11:** Output voltage response to step-change in load current (50%-75%-50% of Iout(max);  $di/dt = 0.1 A/\mu s$ ). Load cap: 1 µF ceramic and 15 µF tantalum capacitors. Ch 1: Vout (500mV/div), Ch 2: Iout (10A/div). Horizontal Scale: 1ms/div



**Figure 12:** Output voltage response to step-change in input voltage (1000V/ms). Ch 1: Vin (200V/div), Ch 2: Vout (500mV/div). Horizontal Scale: 2ms/div

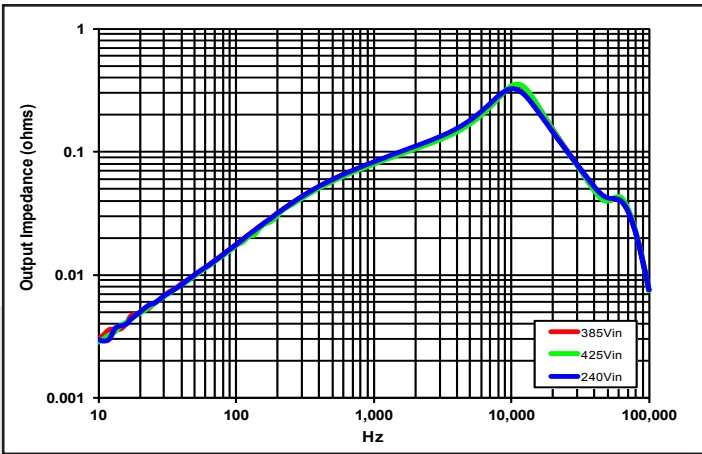


Figure 13: Magnitude of incremental output impedance ( $Z_{out} = v_{out}/i_{out}$ ) for minimum, nominal, and maximum input voltage at full rated power.

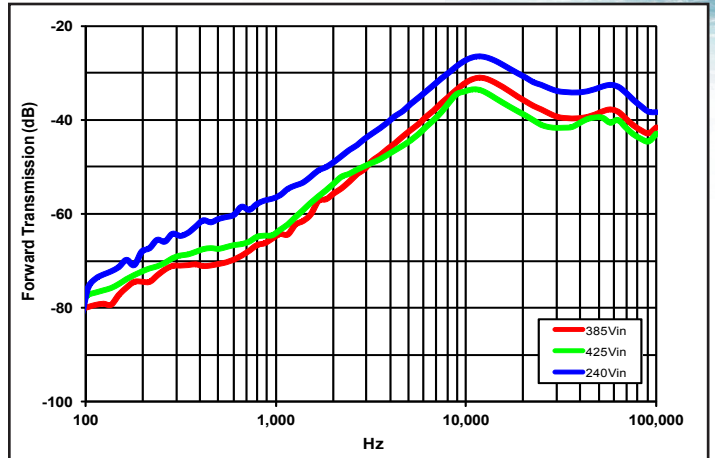


Figure 14: Magnitude of incremental forward transmission ( $FT = v_{out}/v_{in}$ ) for minimum, nominal, and maximum input voltage at full rated power.

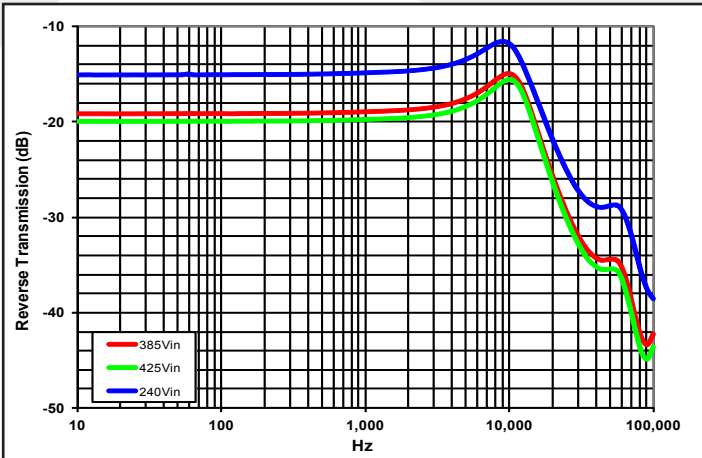


Figure 15: Magnitude of incremental reverse transmission ( $RT = i_{in}/i_{out}$ ) for minimum, nominal, and maximum input voltage at full rated power.

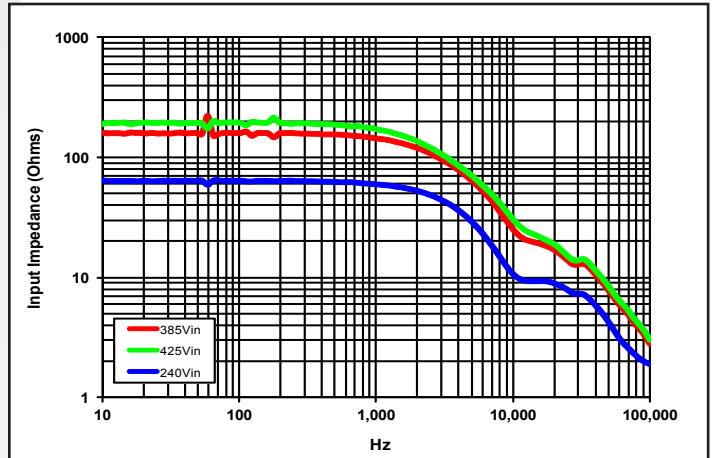


Figure 16: Magnitude of incremental input impedance ( $Z_{in} = v_{in}/i_{in}$ ) for minimum, nominal, and maximum input voltage at full rated power.

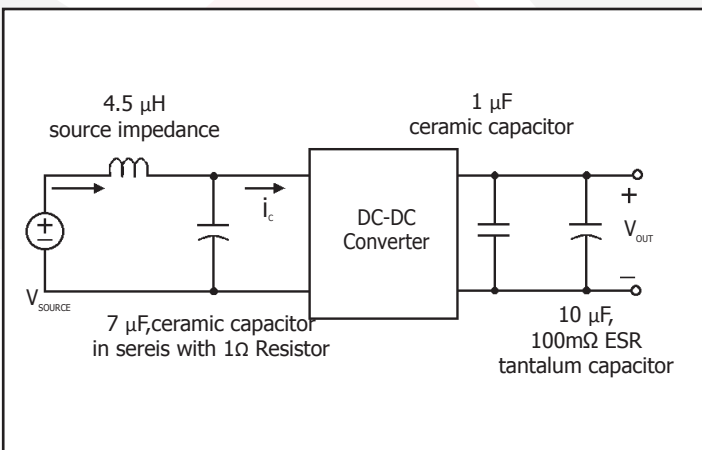


Figure 17: Test set-up diagram showing measurement points for Input Terminal Ripple Current (Figure 9) and Output Voltage Ripple (Figure 10).

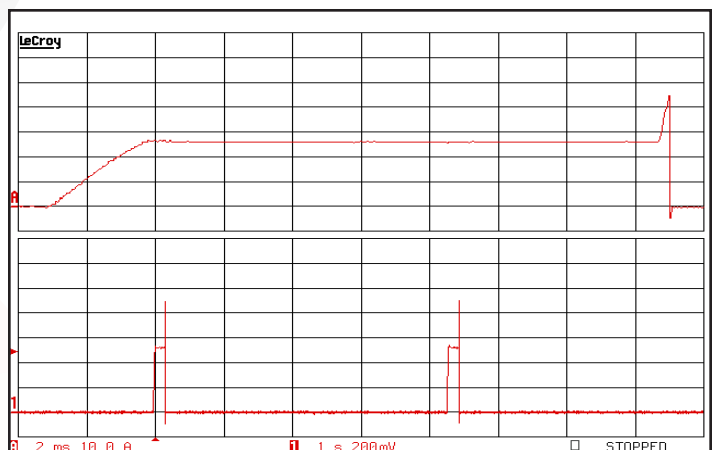


Figure 18: Load current (10A/div) as a function of time (2ms/div and 100ms/div) when the converter attempts to turn on into a  $10 m\Omega$  short circuit.



**MCOTS-C-270HL-36-FT**

**Output: 36V**

**Current: 16.7A**

## Technical Specification

### BASIC OPERATION AND FEATURES

This Mil-COTS converter series uses a two-stage power conversion topology. The first stage is a buck-converter that keeps the output voltage constant over variations in line, load, and temperature. The second stage uses a transformer to provide the functions of input/output isolation and voltage step-up or step-down to achieve the output voltage required.

Both the first stage and the second stage switch at a fixed frequency for predictable EMI performance. The switching frequency of second stage is half of the switching frequency of first stage and locked in phase. Rectification of the transformer's output is accomplished with synchronous rectifiers. These devices, which are MOSFETs with a very low on-state resistance, dissipate far less energy than Schottky diodes. This is the primary reason that the converter has such high efficiency, even at very low output voltages and very high output currents.

These converters are offered totally encased to withstand harsh environments and thermally demanding applications. Dissipation throughout the converter is so low that it does not require a heatsink for operation in many applications; however, adding a heatsink provides improved thermal derating performance in extreme situations.

This series of converters uses the industry standard footprint and pin-out configuration.

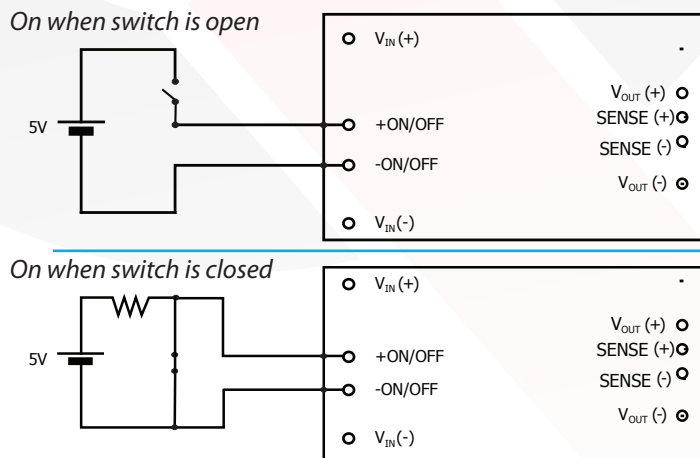


Figure A: Example of two configurations for the enable signal

### CONTROL FEATURES

**ON/OFF(+) and ON/OFF(-) (Pin 3 and 4) - Remote ON/OFF:** The ON/OFF inputs, Pins 3 and 4, permit the user to turn the converter on or off. These two inputs are fully isolated from both the input and the output side of the power converter, allowing the user the option to manage the converter from the input or the output end. The user's on/off control signal is applied between the ON/OFF(+) pin and the ON/OFF(-) pins. Figure A details two possible circuits for driving the ON/OFF pin. Figure B is a detailed look of the internal ON/OFF circuitry.

**REMOTE SENSE(+)** (Pins 11 and 12): The SENSE(+) inputs correct for voltage drops along the conductors that connect the converter's output pins to the load. Pin 11 should be connected to Vout(+) and Pin 12 should be connected to Vout(-) at the point on the board where regulation is desired. A remote connection at the load can adjust for a voltage drop only as large as that specified in this datasheet, that is

$$[V_{out(+)} - V_{out(-)}] - [V_{sense(+)} - V_{sense(-)}] \leq$$

$$\text{Sense Range \%} \times V_{out}$$

Pins 11 and 12 must be connected for proper regulation of the output voltage. If these connections are not made, the converter will deliver an output voltage that is slightly higher than its set value.

The voltage at the output terminals of the module will be trimmed up by the control circuit to compensate for voltage drops between the output pins of the module and the remote sense point. Note that the over-voltage protection (OVP) circuit senses the voltage at the output pins of the module. It is possible to inadvertently trip the OVP protection circuit if the voltage drop between the output pins and the sense point becomes too large. Hence, the remote sensing feature should be used only to compensate for small values of voltage drops to avoid triggering OVP due to a line or load transient.

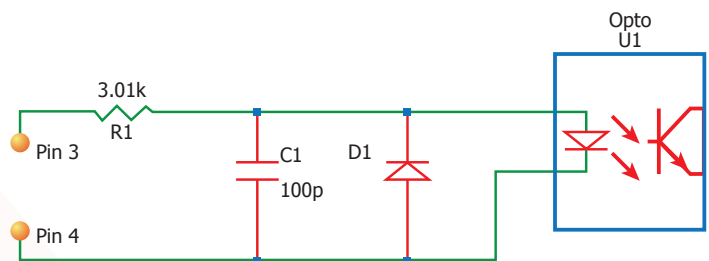


Figure B: Internal ON/OFF pin circuitry





**MCOTS-C-270HL-36-FT**

**Output: 36V**

**Current: 16.7A**

## Technical Specification

**OUTPUT VOLTAGE TRIM (Pin 10):** The TRIM input permits the user to adjust the output voltage across the sense leads up or down according to the trim range specifications.

To decrease the output voltage, the user should connect a resistor between Pin 10 (TRIM) and Pin 12 [SENSE(-)]. For a desired decrease of the nominal output voltage, the value of the resistor should be:

$$R_{\text{trim-down}} = \left( \frac{167}{\Delta\%} - 3.04 \right) (\text{k}\Omega)$$

where

$$\Delta\% = \left| \frac{V_{\text{nominal}} - V_{\text{desired}}}{V_{\text{nominal}}} \right| \times 100\%$$

To increase the output voltage, the user should connect a resistor between Pin 10 (TRIM) and Pin 11 [SENSE(+)]. For a desired increase of the nominal output voltage, the value of the resistor should be:

$$R_{\text{trim-up}} = \left[ \left( \frac{100+\Delta\%}{\Delta\%} \right) \left( \frac{V_{\text{out}}}{1.25} - 1.67 \right) - 1.37 \right] (\text{k}\Omega)$$

where

$$V_{\text{out}} = \text{Nominal Output Voltage}$$

Trim graphs show the relationship between the trim resistor value and Rtrim-up and Rtrim-down, showing the total range the output voltage can be trimmed up or down.

**Note:** the TRIM feature does not affect the voltage at which the output over-voltage protection circuit is triggered. Trimming the output voltage too high may cause the over-voltage protection circuit to engage, particularly during transients.

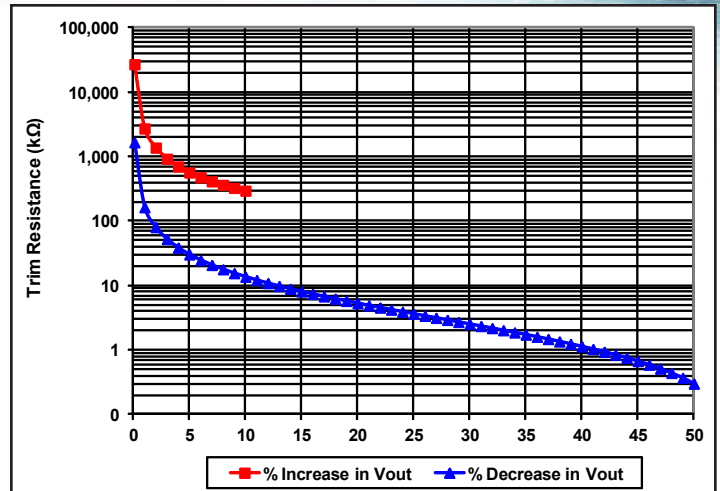


Figure C: Trim graph for trim-up, trim down.

It is not necessary for the user to add capacitance at the Trim pin. The node is internally bypassed to eliminate noise.

**Total DC Variation of VOUT:** For the converter to meet its full specifications, the maximum variation of the dc value of VOUT, due to both trimming and remote load voltage drops, should not be greater than that specified for the output voltage trim range. Note that a 1% load is required to ensure that the output voltage regulation and monotonic startup.



**MCOTS-C-270HL-36-FT**

**Output: 36V**

**Current: 16.7A**

## Technical Specification

### Protection Features

**Input Under-Voltage Lockout:** The converter is designed to turn off when the input voltage is too low, helping avoid an input system instability problem, described in more detail in the application note titled "Input System Instability" available on [www.SynQor.com](http://www.SynQor.com). The lockout circuitry is a comparator with DC hysteresis. When the input voltage is rising, it must exceed the typical Turn-On Voltage Threshold value (listed on the specification page) before the converter will turn on. Once the converter is on, the input voltage must fall below the typical Turn-Off Voltage Threshold value before the converter will turn off.

**Output Over-Voltage Limit:** If the voltage across the output pins exceeds the Output Over-Voltage Protection threshold, the converter will immediately stop switching. This prevents damage to the load circuit due to 1) excessive series resistance in output current path from converter output pins to sense point, 2) a release of a short-circuit condition, or 3) a release of a current limit condition. Load capacitance determines exactly how high the output voltage will rise in response to these conditions. After 400 ms the converter will automatically restart.

**Over-Temperature Shutdown:** A temperature sensor on the converter senses the average temperature of the module. The thermal shutdown circuit is designed to turn the converter off when the temperature at the sensed location reaches the Over-Temperature Shutdown value. It will allow the converter to turn on again when the temperature of the sensed location falls by the amount of the Over-Temperature Shutdown Restart Hysteresis value.

**Output Current Limit:** The output current remains constant as the output voltage drops. However, once the impedance of the load across the output is small enough to make the output voltage drop below the specified Output DC Current-Limit Shutdown Voltage, the converter turns off.

The converter then enters a "auto-restart" mode where it repeatedly turns on and off at a 2.5 Hz (nominal) frequency until the overload condition is removed. This prevents excessive heating of the converter or the load board.



**MCOTS-C-270HL-36-FT**

**Output: 36V**

**Current: 16.7A**

**Technical Specification**

**APPLICATION CONSIDERATIONS**

**Input System Instability:** This condition can occur because any dc-dc converter appears incrementally as a negative resistance load. A detailed application note titled "Input System Instability" is available on the SynQor website which provides an understanding of why this instability arises, and shows the preferred solution for correcting it.

**Application Circuits:** Figure D provides a typical circuit diagram which details the input filtering and voltage trimming.

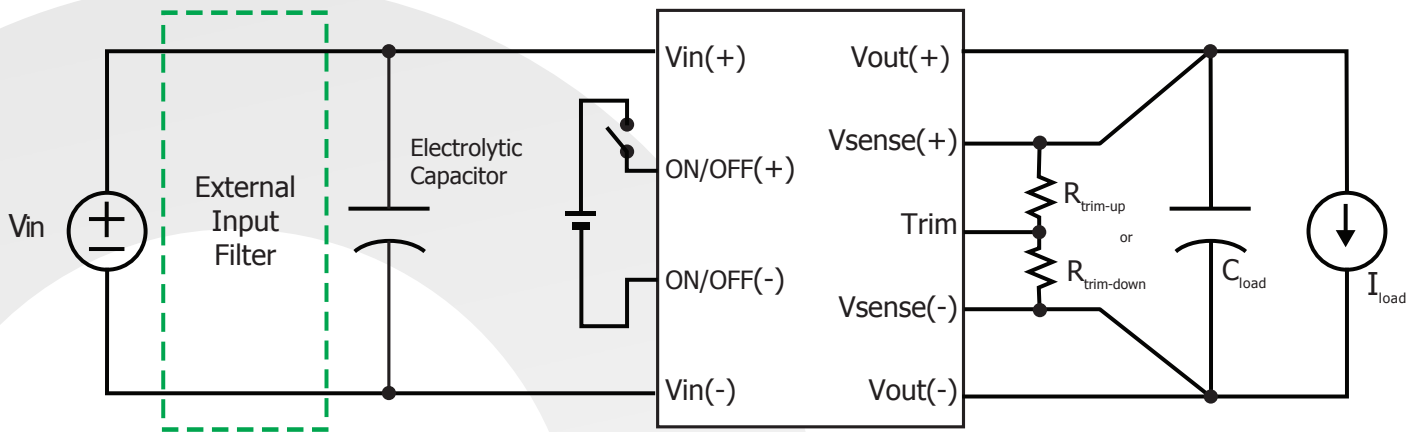


Figure D: Typical application circuit

**Input Filtering and External Capacitance:** Figure E provides a diagram showing the internal input filter components. This filter dramatically reduces input terminal ripple current, which otherwise could exceed the rating of the converter's external electrolytic input capacitor. The recommended external input capacitance is specified in the Input Characteristics section on the Electrical Characteristics page. More detailed information is available in the application note titled "EMI Characteristics" on the SynQor website.

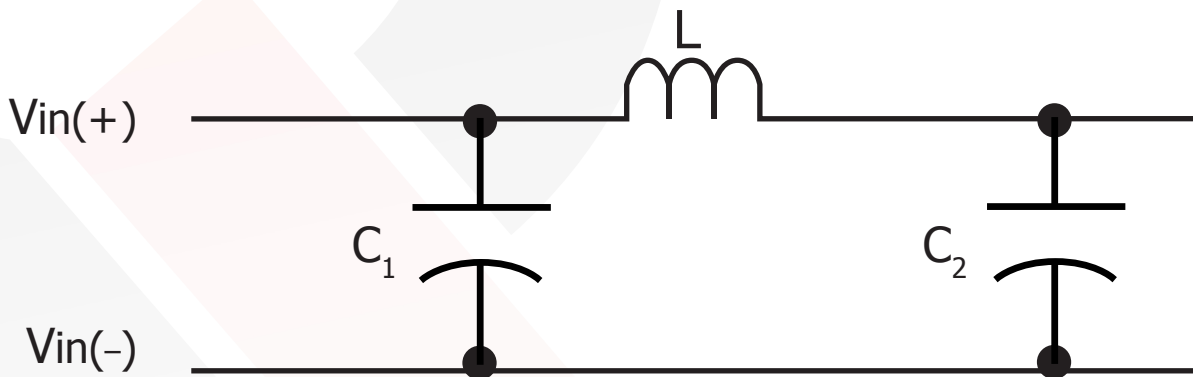


Figure E: Internal Input Filter Diagram (Component values listed on page 3)



# Technical Specification

**Startup Inhibit Period:** The Startup Inhibit Period ensures that the converter will remain off for approximately 400 ms when it is shut down for any reason. When an output short is present, this generates a 2.5 Hz "hiccup" mode, which prevents the converter from overheating. In all, there are seven ways that the converter can be shut down, initiating a Startup Inhibit Period:

- Input Under-Voltage Lockout
- Input Over-Voltage Lockout
- Output Over-Voltage Protection
- Over Temperature Shutdown
- Current Limit
- Short Circuit Protection
- Turned off by the ON/OFF input

Figure F shows three turn-on scenarios, where a Startup Inhibit Period is initiated at  $t_0$ ,  $t_1$ , and  $t_2$ :

Before time  $t_0$ , when the input voltage is below the UVL threshold, the unit is disabled by the Input Under-Voltage Lockout feature. When the input voltage rises above the UVL threshold, the Input Under-Voltage lockout is released, and a Startup Inhibit Period is initiated. At the end of this delay, the ON/OFF pin is evaluated, and since it is active, the unit turns on.

At time  $t_1$ , the unit is disabled by the ON/OFF pin, and it cannot be enabled again until the Startup Inhibit Period has elapsed.

When the ON/OFF pin goes high after  $t_1$ , the Startup Inhibit Period has elapsed, and the output turns on within the typical Turn-On Time.

**Thermal Considerations:** The maximum operating base-plate temperature,  $T_B$ , is 100 °C. Refer to the thermal derating curve, Figure 5, to see the available output current at baseplate temperatures below 100 °C.

A power derating curve can be calculated for any heatsink that is attached to the base-plate of the converter. It is only necessary to determine the thermal resistance,  $R_{TH_{BA}}$  of the chosen heatsink between the base-plate and the ambient air for a given airflow rate. This information is usually available from the heatsink vendor. The following formula can then be used to determine the maximum power the converter can dissipate for a given thermal condition:

$$P_{diss}^{max} = \frac{T_B - T_A}{R_{TH_{BA}}}$$

This value of power dissipation can then be used in conjunction with the data shown in Figure 3 to determine the maximum load current (and power) that the converter can deliver in the given thermal condition.

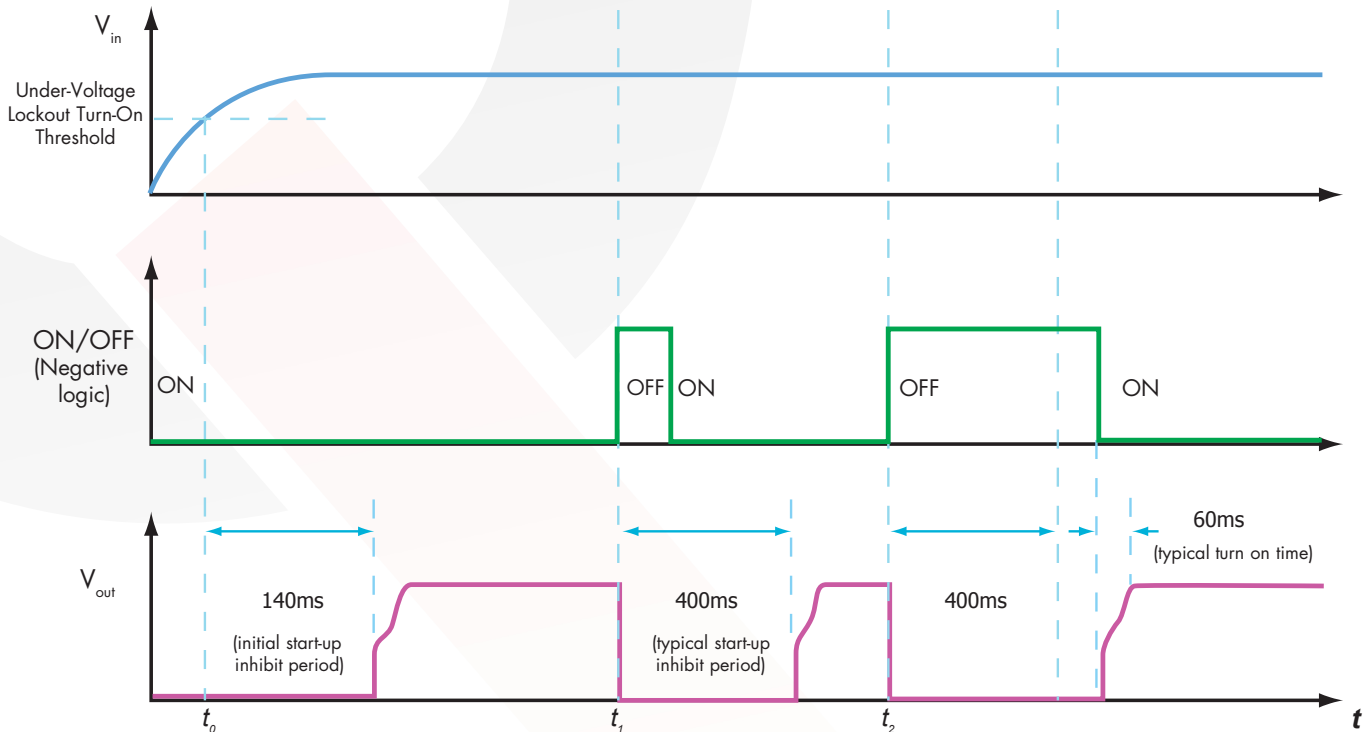


Figure F: Startup Inhibit Period (turn-on time not to scale)



## Technical Specification

### Full-Featured Application Notes

This section provides some basic application information for the full-feature version of the MCOTS series converter.

All units in this product family include back-drive protection to simplify the use of multiple converters in a parallel or sequencing application. However, any voltage applied to the output of the converter should be kept below the rated output voltage of the converter.

In addition to back-drive protection, these units include the following features (pins):

**I Share (pin 9)-Active Current Share:** Some applications benefit from connecting the outputs of multiple converters in parallel. Typical applications include systems that require power levels higher than the rated power of one converter, or systems that require N+1(less than 30) redundancy for increased reliability and availability. The active current share feature of this converter is a secondary side referenced circuit that ensures that modules configured to operate in parallel will share load current to a significant degree ( $\pm 5\%$  typical at full rated current). This feature is implemented by directly connecting the I share pins and the Start Sync pins of multiple units together. Note also that it is important to connect the SENSE(+) and SENSE(-) pins of each of the parallel modules in the same physical location to ensure the most accurate level of current sharing. The voltage at the I Share pin will range from approximately 1volt (at no load) to 2.2 volts (at full rated current), referenced to the secondary-side ground, VSENSE(-). For best performance in current shared mode, the following connections must be implemented:

- I share pins of multiple units must be connected together.
- Start Sync pins of multiple units must be connected together (see details below)
- SENSE(+) and SENSE(-) pins of each module must be tied together at the same physical location, preferably at the end of power out cable or trace.

**Start Sync (pin 8) - Start Synchronization:** The Start Synchronization feature is a secondary side referenced circuit that will allow a more consistent start-up sequence when the output of multiple modules are connected in parallel. To operate this feature, connect together the Start-Sync pins of multiple current-sharing units. This will permit immediate start-up with loads greater than the current limit of a single unit. Without this connection, any set of converters attempting to asynchronously start (or re-start) with a load greater than the current limit of a single unit will go into an auto-restart mode of operation that will continue until one converter attempts a start at the same time as the minimum number of additional units necessary to sustain the load condition.

For example, three 50 amp units starting into a 90 amp load would require two units to simultaneously attempt a start. The Start Sync connection synchronizes these starting attempts and provides a more consistent and reliable start-up sequence. For details about the auto-restart mode or repeated startup attempts, please see the "Startup Inhibit Period" note in the Technical Specification.

#### SyncIn (pin 1) – External Clock Synchronization:

The Clock Synchronization is a primary side referenced feature which allows the user to control the EMI signature and synchronize sensitive circuitry to quiet periods in the converter operation. With this option, the converter can be synchronized to an external clock signal whose frequency is within the limits specified in the Electrical Characteristics Table. Note that increasing the converter's frequency will tend to reduce efficiency.

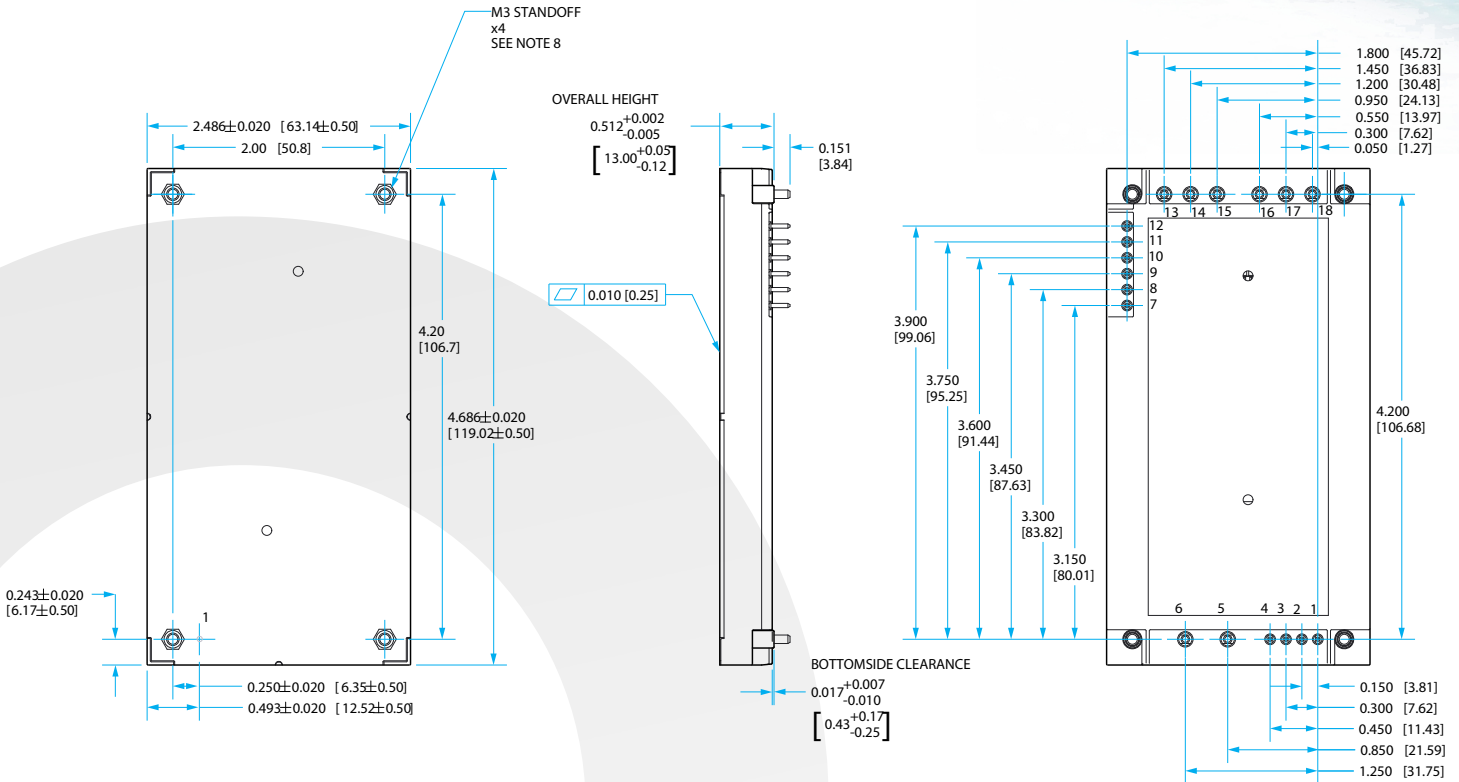
The Clock Synchronization feature allows the user the following choices:

- Change the switching frequency of the converter from the factory pre-set value to any other value in the specified range.
- Synchronize the switching of all converters in a current shared mode to a common external frequency.
- Synchronize the switching frequency of each module to an external frequency.
- Improve susceptibility of an adjacent sensitive circuit by moving the converter frequency away from its most sensitive frequency. All the above are also effective means of designing and managing EMI filtering to comply with the specified EMC standards.
- All synchronization signals (including an external clock) should be referenced to the negative terminal of input voltage, Vin(-)
- The high level of the signal should be between 3.5V and 5.0V
- The low level should be between -0.5V and +1.2V
- The duty cycle of a signal applied to the SyncIn pin should be between 20% and 80%

#### SyncOut (pin 2) - Synchronization Output:

The Synchronization Output is a primary side referenced feature which provides the ability for a user to access a waveform switching synchronously with the pulse width modulator (pwm) clock of the module. The SyncOut signal of one module can be used as the input to multiple other modules.

## Mechanical Diagram



### NOTES

- 1) Pins 1-4, 7-12 are 0.040" (1.02mm) diameter, with 0.080" (2.03mm) diameter standoff shoulders.
- 2) Pins 5-6, 13-18 are 0.080" (2.03 mm) diameter with 0.125" (3.18mm) diameter standoff shoulders.
- 3) All Pins: Material - Copper Alloy; Finish - Matte Tin over Nickel plate
- 4) Undimensioned components are shown for visual reference only.
- 5) Applied torque per screw should not exceed 6in-lb (0.7Nm).
- 6) Baseplate flatness tolerance is 0.010" (0.25mm) TIR for surface.
- 7) Weight: 9.9oz (280g) typical
- 8) Threaded or non-threaded options available.
- 9) Workmanship: Meets or exceeds IPC-A-610 Class II
- 10) All dimensions in inches (mm)  
Tolerances: x.xx +/-0.02 in. (x.x +/-0.5mm)  
x.xxx +/-0.010 in. (x.xx +/-0.25mm)

### PIN DESIGNATIONS

Pin	Name	Function
1	SyncIn	Synchronization Input (full feature only)
2	SyncOut	Synchronization Output (full feature only)
3	ON/OFF(+)	Turn converter on and off, referenced to - ON/OFF
4	ON/OFF(-)	Fully isolated ground
5	Vin(+)	Positive input voltage
6	Vin(-)	Negative input voltage
7	Vaux	Auxiliary power, referenced to Vout(-)
8	Start Sync	Startup synchronization (full feature only)
9	I Share	Single wire parallel signal (full feature only)
10	TRIM	Output voltage trim (see note 1)
11	SENSE(+)	Positive remote sense (see note 2)
12	SENSE(-)	Negative remote sense (see note 3)
13	Vout(-)	Negative output voltage
14	Vout(-)	Negative output voltage
15	Vout(-)	Negative output voltage
16	Vout(+)	Positive output voltage
17	Vout(+)	Positive output voltage
18	Vout(+)	Positive output voltage

#### Pin Designations Notes:

- 1) Leave TRIM pin open for nominal output voltage.
- 2) SENSE(+) should be connected to Vout(+) remotely or at converter.
- 3) SENSE(-) should be connected to Vout(-) remotely or at converter.
- 4) Pins 1, 2, 8, and 9 are populated on full feature versions only.



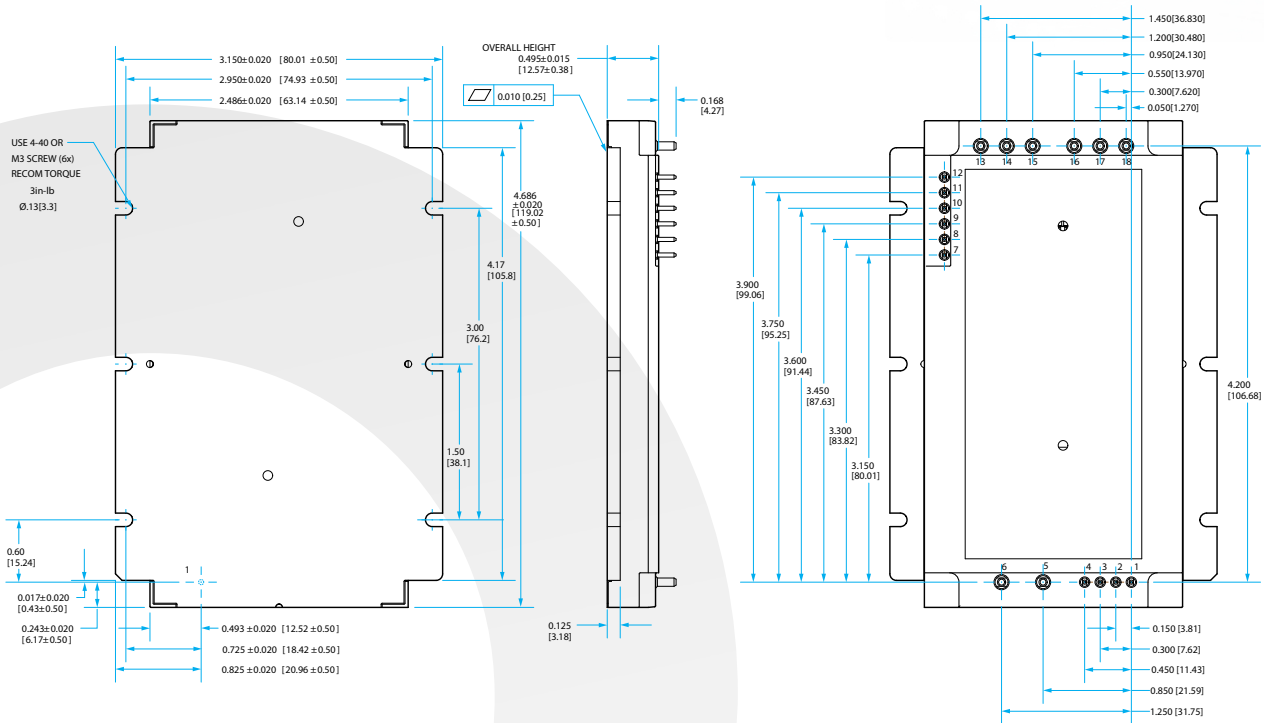
**MCOTS-C-270HL-36-FT**

**Output: 36V**

**Current: 16.7A**

**Technical Specification**

**Flanged Mechanical Diagram**



**NOTES**

- 1) Applied torque per M3 or 4-40 screw should not exceed 6in-lb (0.7Nm).
- 2) Pins 1-4, 7-12 are 0.040" (1.02mm) diameter, with 0.080" (2.03mm) diameter standoff shoulders.
- 3) Pins 5-6, 13-18 are 0.080" (2.03 mm) diameter with 0.125" (3.18mm) diameter standoff shoulders.
- 4) All Pins: Material - Copper Alloy; Finish - Matte Tin over Nickel plate
- 5) Undimensioned components are shown for visual reference only.
- 6) Baseplate flatness tolerance is 0.010" (.25mm) TIR for surface.
- 7) Weight: 10.3oz (293g) typical
- 8) Workmanship: Meets or exceeds IPC-A-610 Class II
- 9) All dimensions in inches (mm)  
Tolerances: x.xx +/-0.02 in. (x.x +/-0.5mm)  
                  x.xxx +/-0.010 in. (x.xx +/-0.25mm)

**PIN DESIGNATIONS**

Pin	Name	Function
1	SyncIn	Synchronization Input (full feature only)
2	SyncOut	Synchronization Output (full feature only)
3	ON/OFF(+)	Turn converter on and off, referenced to - ON/OFF
4	ON/OFF(-)	Fully isolated ground
5	Vin(+)	Positive input voltage
6	Vin(-)	Negative input voltage
7	Vaux	Auxiliary power, referenced to Vout(-)
8	Start Sync	Startup synchronization (full feature only)
9	I Share	Single wire parallel signal (full feature only)
10	TRIM	Output voltage trim (see note 1)
11	SENSE(+)	Positive remote sense (see note 2)
12	SENSE(-)	Negative remote sense (see note 3)
13	Vout(-)	Negative output voltage
14	Vout(-)	Negative output voltage
15	Vout(-)	Negative output voltage
16	Vout(+)	Positive output voltage
17	Vout(+)	Positive output voltage
18	Vout(+)	Positive output voltage

**Pin Designations Notes:**

- 1 Leave TRIM pin open for nominal output voltage.
- 2 SENSE(+) should be connected to Vout(+) remotely or at converter.
- 3 SENSE(-) should be connected to Vout(-) remotely or at converter.
- 4 Pins 1, 2, 8, and 9 are populated on full feature versions only.



**MCOTS-C-270HL-36-FT**

**Output: 36V**

**Current: 16.7A**

**Technical Specification**

**Mil-COTS Qualification**

Test Name	Details	# Tested (# Failed)	Consistent with MIL-STD-883F Method
Life Testing	Visual, mechanical and electrical testing before, during and after 1000 hour burn-in @ full load	15 (0)	Method 1005.8
Shock-Vibration	Visual, mechanical and electrical testing before, during and after shock and vibration tests	5 (0)	MIL-STD-202, Methods 201A & 213B
Humidity	+85 °C, 95% RH, 1000 hours, 2 minutes on / 6 hours off	8 (0)	Method 1004.7
Temperature Cycling	500 cycles of -55 °C to +100 °C (30 minute dwell at each temperature)	10 (0)	Method 1010.8, Condition A
Solderability	15 pins	15 (0)	Method 2003
DMT	-65 °C to +110 °C across full line and load specifications in 5 °C steps	7 (0)	
Altitude	70,000 feet (21 km), see Note	2 (0)	

Note: A conductive cooling design is generally needed for high altitude applications because of naturally poor convective cooling at rare atmospheres.

**Mil-COTS Converter and Filter Screening**

Screening	Process Description	S-Grade	M-Grade
Baseplate Operating Temperature		-55 °C to +100 °C	-55 °C to +100 °C
Storage Temperature		-65 °C to +135 °C	-65 °C to +135 °C
Pre-Cap Inspection	IPC-A-610, Class III	•	•
Temperature Cycling	MIL-STD-883F, Method 1010, Condition B, 10 Cycles		•
Burn-In	100 °C Baseplate	12 Hours	96 Hours
Final Electrical Test	100%	25 °C	-55 °C, +25 °C, +100 °C
Final Visual Inspection	MIL-STD-883F, Method 2009	•	•

**Mil-COTS MIL-STD-810G Qualification Testing**

MIL-STD-810G Test	Method	Description
Fungus	508.6	Table 508.6-I
Altitude	500.5 - Procedure I	Storage: 70,000 ft / 2 hr duration
	500.5 - Procedure II	Operating: 70,000 ft / 2 hr duration; Ambient Temperature
Rapid Decompression	500.5 - Procedure III	Storage: 8,000 ft to 40,000 ft
Acceleration	513.6 - Procedure II	Operating: 15 g
Salt Fog	509.5	Storage
High Temperature	501.5 - Procedure I	Storage: 135 °C / 3 hrs
	501.5 - Procedure II	Operating: 100 °C / 3 hrs
Low Temperature	502.5 - Procedure I	Storage: -65 °C / 4 hrs
	502.5 - Procedure II	Operating: -55 °C / 3 hrs
Temperature Shock	503.5 - Procedure I - C	Storage: -65 °C to 135 °C; 12 cycles
Rain	506.5 - Procedure I	Wind Blown Rain
Immersion	512.5 - Procedure I	Non-Operating
Humidity	507.5 - Procedure II	Aggravated cycle @ 95% RH (Figure 507.5-7 aggravated temp - humidity cycle, 15 cycles)
Random Vibration	514.6 - Procedure I	10 - 2000 Hz, PSD level of 1.5 g <sup>2</sup> /Hz (54.6 g <sub>rms</sub> ), duration = 1 hr/axis
Shock	516.6 - Procedure I	20 g peak, 11 ms, Functional Shock (Operating no load) (saw tooth)
	516.6 - Procedure VI	Bench Handling Shock
Sinusoidal vibration	514.6 - Category 14	Rotary wing aircraft - helicopter, 4 hrs/axis, 20 g (sine sweep from 10 - 500 Hz)
Sand and Dust	510.5 - Procedure I	Blowing Dust
	510.5 - Procedure II	Blowing Sand





**MCOTS-C-270HL-36-FT**

**Output: 36V**

**Current: 16.7A**

**Technical Specification**

**Ordering Information/ Part Numbering**

Example MCOTS-C-270HL-36-FT-N-M-F

Not all combinations make valid part numbers, please contact SynQor for availability. See the website for details.

Family	Product	Input Voltage	Output Voltage	Package	Heatsink Option	Screening Level	Options
MCOTS	C: Converter	270HL: 180-425V	36V: 36V	FT: Full Brick Tera	N: Normal	M: M-Grade	F: Full Feature

**APPLICATION NOTES**

A variety of application notes and technical white papers can be downloaded in pdf format from our [website](#).

**Contact SynQor for further information and to order:**

**Phone:** 978-849-0600  
**Toll Free:** 888-567-9596  
**Fax:** 978-849-0602  
**E-mail:** [power@synqor.com](mailto:power@synqor.com)  
**Web:** [www.synqor.com](http://www.synqor.com)  
**Address:** 155 Swanson Road  
 Boxborough, MA 01719  
 USA

**PATENTS**

SynQor holds numerous U.S. patents, one or more of which apply to most of its power conversion products. Any that apply to the product(s) listed in this document are identified by markings on the product(s) or on internal components of the product(s) in accordance with U.S. patent laws. SynQor's patents include the following:

5,999,417	6,222,742	6,545,890	6,594,159	6,894,468	6,896,526
6,927,987	7,050,309	7,072,190	7,085,146	7,119,524	7,269,034
7,272,021	7,272,023	7,558,083	7,564,702	7,765,687	7,787,261
8,023,290	8,149,597	8,493,751	8,644,027	9,143,042	

**Warranty**

SynQor offers a two (2) year limited warranty. Complete warranty information is listed on our website or is available upon request from SynQor.